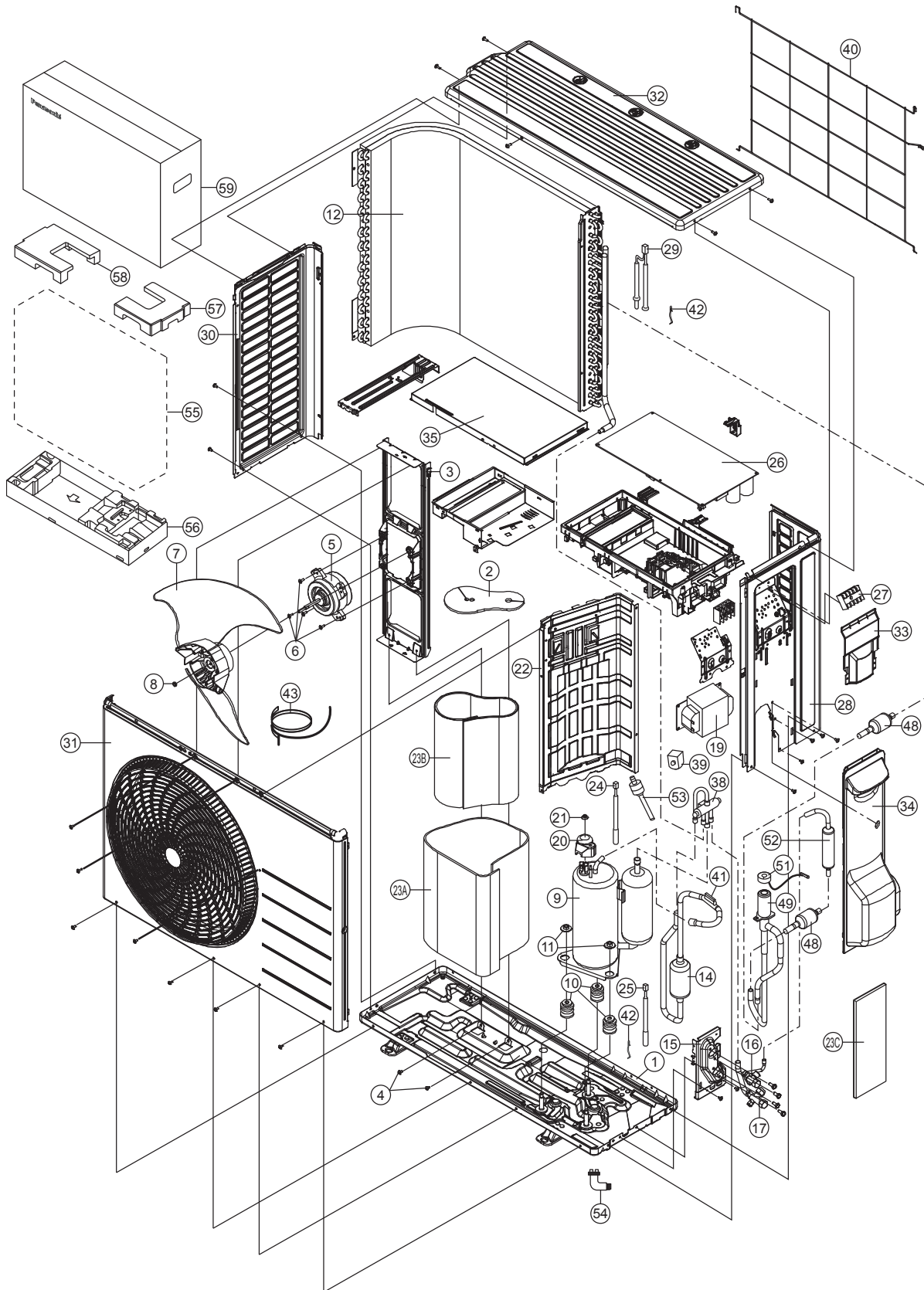


20.2 Outdoor Unit

20.2.1 WH-UD03EE5 WH-UD05EE5



Note:

- The above exploded view is for the purpose of parts disassembly and replacement.
- The non-numbered parts are not kept as standard service parts.

<WH-UD03EE5 WH-UD05EE5>

| SAFETY | REF. NO. | DESCRIPTION & NAME | QTY. | WH-UD03EE5 | WH-UD05EE5 | REMARK |
|--------|----------|--------------------------------|------|--------------|-------------|--------|
| | 1 | CHASSIS ASS'Y | 1 | CWD52K1317 | ← | |
| | 2 | SOUND PROOF MATERIAL | 1 | CWG302742 | ← | |
| | 3 | FAN MOTOR BRACKET | 1 | CWD541167 | ← | |
| | 4 | SCREW - FAN MOTOR BRACKET | 2 | CWH551217 | ← | |
| ⚠ | 5 | FAN MOTOR, DC 40W 3PH | 1 | ARS6411AC | ← | O |
| | 6 | SCREW - FAN MOTOR MOUNT | 4 | CWH55252J | ← | |
| | 7 | PROPELLER FAN ASSY | 1 | CWH03K1066 | ← | |
| | 8 | NUT - PROPELLER FAN | 1 | CWH56053J | ← | |
| ⚠ | 9 | COMPRESSOR | 1 | 5RD132XBE21 | ← | O |
| | 10 | ANTI - VIBRATION BUSHING | 3 | CWH50077 | ← | |
| | 11 | NUT - COMPRESSOR MOUNT | 3 | CWH56000J | ← | |
| | 12 | CONDENSER COMPLETE | 1 | CWB32C3547 | ← | |
| | 14 | DISCHARGE MUFFLER | 1 | CWB121065 | ← | |
| | 15 | HOLDER - COUPLING | 1 | CWH351233 | ← | |
| | 16 | 2-WAYS VALVE | 1 | CWB021606 | ← | |
| | 17 | 3-WAYS VALVE | 1 | CWB011670 | ← | |
| ⚠ | 19 | REACTOR | 1 | G0C193J00004 | ← | O |
| | 20 | TERMINAL COVER | 1 | CWH171039A | ← | |
| | 21 | NUT - TERMINAL COVER | 1 | CWH7080300J | ← | |
| | 22 | SOUND - PROOF BOARD | 1 | CWH151345 | ← | |
| | 23A | SOUND PROOF MATERIAL | 1 | CWG302741 | ← | |
| | 23B | SOUND PROOF MATERIAL | 1 | CWG302762 | ← | |
| | 23C | SOUND PROOF MATERIAL | 1 | CWG302788 | ← | |
| | 24 | SENSOR - COMPLETE | 1 | CWA50C2894 | ← | O |
| | 25 | SENSOR - COMPLETE | 1 | CWA50C2656 | ← | O |
| ⚠ | 26 | ELECTRONIC CONTROLLER - MAIN | 1 | CWA73C7007R | CWA73C7008R | O |
| ⚠ | 27 | TERMINAL BOARD ASS'Y | 1 | CWA28K1036J | ← | O |
| | 28 | CABINET SIDE PLATE CO. | 1 | CWE04C1411 | ← | |
| | 29 | SENSOR - COMPLETE | 1 | CWA50C2893 | ← | O |
| | 30 | CABINET SIDE PLATE (L) | 1 | CWE041579A | ← | |
| | 31 | CABINET FRONT PLATE - CO. | 1 | CWE06C1441 | ← | |
| | 32 | CABINET TOP PLATE | 1 | CWE031148A | ← | |
| | 33 | PLATE - C.B.COVER | 1 | CWH131470A | ← | |
| | 34 | CONTROL BOARD COVER - COMPLETE | 1 | CWH13C1253 | ← | |
| | 35 | CONTROL BOARD COVER | 1 | CWH131473 | ← | |
| | 38 | 4-WAYS VALVE | 1 | CWB001037J | ← | |
| ⚠ | 39 | V-COIL COMPLETE | 1 | CWA43C2431 | ← | O |
| | 40 | WIRE NET | 1 | CWD041166A | ← | |
| | 41 | HOLDER - SENSOR | 1 | CWH32075 | ← | |
| | 42 | HOLDER - SENSOR | 2 | CWH32143 | ← | |
| | 43 | CRANKCASE HEATER | 1 | CWA341044 | ← | |
| | 48 | STRAINER | 2 | CWB11094 | ← | |
| | 49 | EXPANSION VALVE | 1 | CWB051016J | ← | O |
| ⚠ | 51 | V-COIL COMPLETE | 1 | CWA43C2257 | ← | O |
| | 52 | DISCHARGE MUFFLER | 1 | CWB121063 | ← | |
| | 53 | PRESSURE SWITCH | 1 | CWA50C2570 | ← | O |
| | 54 | ACCESSORY COMP. (DRAIN ELBOW) | 1 | CWG87C2030 | ← | |
| | 55 | BAG | 1 | CWG861078 | ← | |
| | 56 | BASE BOARD-COMplete | 1 | CWG62C1162 | ← | |
| | 57 | SHOCK ABSORBER (RIGHT) | 1 | CWG713415 | ← | |

| SAFETY | REF. NO. | DESCRIPTION & NAME | QTY. | WH-UD03EE5 | WH-UD05EE5 | REMARK |
|--------|----------|-----------------------|------|------------|------------|--------|
| | 58 | SHOCK ABSORBER (LEFT) | 1 | CWG713416 | ← | |
| | 59 | C.C. CASE | 1 | CWG568571 | ← | |

Note:

- All parts are supplied from PAPAMY, Malaysia (Vendor Code: 00029488).
- “O” marked parts are recommended to be kept in stock.